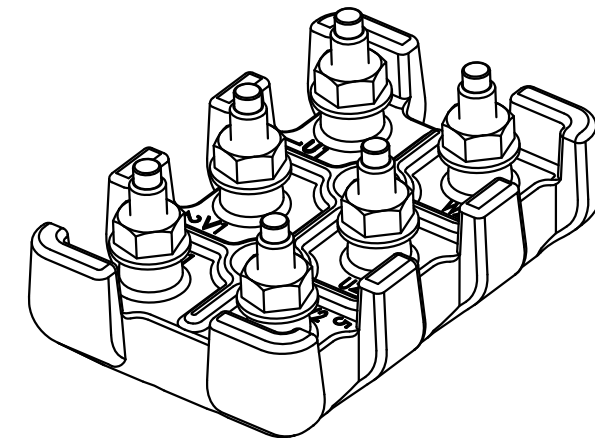
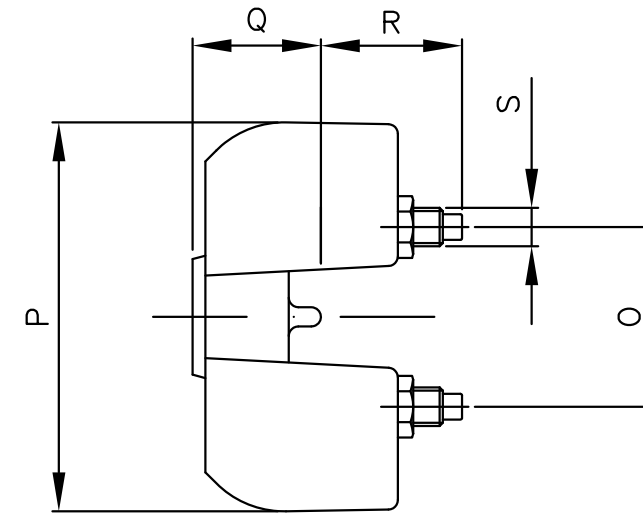
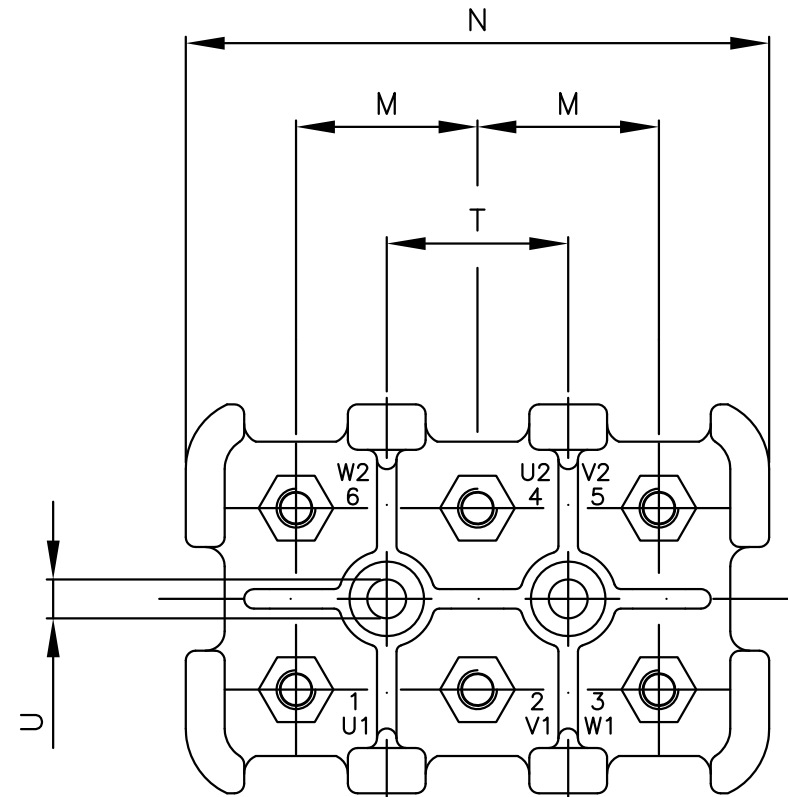
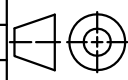



Dimensions in mm

THIS IS AN UPDATED REVISION, THE PREVIOUS ONE MUST BE DISREGARDED.



FRAME (IEC-NEMA)	M	N	O	P	Q	R	S	T	U
63	16	53	16	35	14	10.5	M4x0.7	20	5.8
71									
80									
90S/L - 143/5T 100L	16	53	16	35	14	10.5	M4x0.7	20	5.8
112M - 182/4T	23	75	23	50	17	16	M5x0.8	23	6.5
132S/M - 213/5T									
160M/L - 254/6T									
180M/L - 284/6T	28	90	28	60	20	18	M6x1	28	6.6
200M/L - 324/6T	35	112	35	74	23	20	M8x1.25	35	9.5
225S/M - 364/5T	44	140	44	94	25	23	M10x1.5	45	10.5
250S/M - 404/5T									
280S/M - 444/5T	45	153	45	108	29.5	27	M12x1.75	45	10.5
315S/M - 504/5T	45	153	45	108	44	27	M12x1.75	45	10.5
355M/L - 586/7T	65	210	65	146	44	49	M16x2	65	11

						ESC /SCALE	NONE				
ORIGINAL ISSUE						ARTHUR	DIEGO	CASTELLA	10.01.2014	00	
ECM ECM	LOC LOC	RESUMO MODIFICAÇÃO SUMMARY OF MODIFICATIONS				EXECUTADO EXECUTED	VERIFICADO CHECKED	LIBERADO RELEASED	DATA DATE	VER VER	
EXEC. /EXECUTED	ARTHUR	 TERMINAL BLOCK WITH 6 PINS APPLICABLE FOR W22 AND W21				BMC-DIM-6					
VERIF. /CHECKED	DIEGO					000				00	
LIBER. /RELEASED	CASTELLA										
DATA LB /REL DT	10.01.2014	WMO	JARAGUÁ DO SUL	VENDAS TÉCNICAS	FOLHA /SHEET	1 / 1					