

# 电磁开关

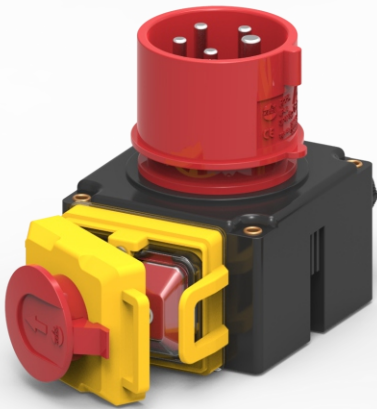
## KOA7 Electromagnetic Switch



KOA7-10



KOA7-39



KOA7-18



KOA7-61

### Description 描述

The KOA7 switch-plug combination switches can open contacts if the rated voltage is reduced or the power fails. Provided with various plugs widely used in many countries. With the emergency stop button and waterproof housing, safety is greatly improved.

欧式组合停电和欠电压保护开关，配有各种欧式插头供选择。配上能锁的急停盖和防水罩，更加安全可靠。

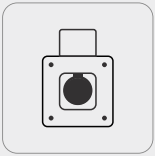
### Specifications 参数

Standard 标准	TUV, CE (EN61058)		TUV, CE (EN60947)	
	Rated Voltage 额定电压	250V~	400V~	230V~
Rated Current 额定电流	12 (12) A	12 (10) A	16A (AC-3) 8A (AC-15)	12A (AC-3) 8A (AC-15)
Degree of Protection 防护等级	IP44		IP54	
Plug Section 插头	2P+E or 3P+N+E 16A			
Number of Operating Cycles 操作循环次数	5E4			



### Ordering Options 订货选项

Plug 插头		Marking on Button 按钮标识	Fixing Method 固定方式	Housing 底座	Accessories 附件
<b>E1</b> Single Phase Black Plug 单相黑插头 P224(2P+E) 	<b>E2</b> Single Phase Blue Plug 单相蓝插头 P224(2P+E) 	<b>M1</b> 	<b>FM1</b> Screw Type 螺钉式 	KOA7-18 	<b>A1</b> PL2 
<b>E3</b> Three Phase Red Plug 三相红插头 P225(3P+E+N) 	<b>E4</b> Three Phase Red Plug with phase change 三相带换向插头 P226E(3P+E+N) 	<b>M2</b> 	<b>FM2</b> Rivet Type 铆钉式 		<b>A2</b> PL6 
<b>E5</b> Three Phase Red Plug 三相红插头 P241(3P+E) 	<b>E6</b> Single Phase Blue Plug 单相蓝插头 P224-8(2P+E) 	<b>M3</b> 		<b>A3</b> PL7 	
<b>E7</b> Single Phase Yellow Plug 单相黄插头 P224-9(2P+E) 	<b>E8</b> US Plug 美式插头 P324(2P+E) 	<b>M4</b> 		<b>A4</b> Waterproof Cover 防水罩 	
<b>E9</b> German Plug 德式插头 P224-7(2P+E) 	<b>E10</b> German Plug 德式插头 P224E-7(2P+E) 	<b>M5</b> 		<b>A5</b> PL11 	
<b>E11</b> Single Phase Plug 单相插头 P224E-11(2P+E) 	<b>E12</b> Single Phase Plug 单相插头 P224-11(2P) 	<b>M6</b> 		<b>A6</b> PL11-2 	
<b>E13</b> Swiss Plug 瑞士插头 P224-4-2 		<b>M7</b> 		<b>A7</b> PL7-2 	
		<b>M8</b> 		<b>A8</b> Waterproof Cover 防水罩 	
				KOA7-39 	<b>A9</b> Waterproof Cover 防水罩 
				KOA7-10 	



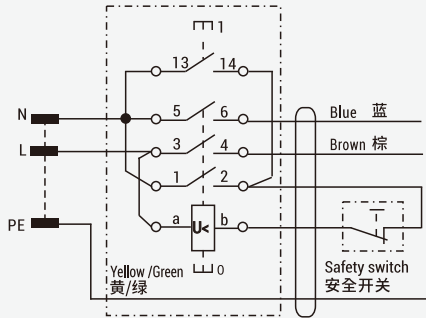
# 电磁开关

KOA7 Electromagnetic Switch

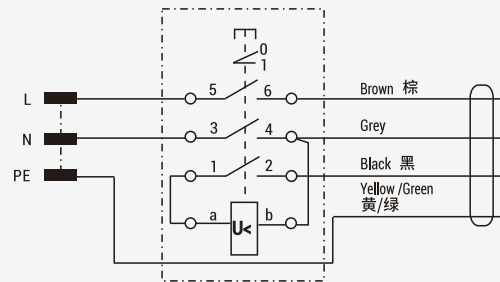


## Function Options 功能选项

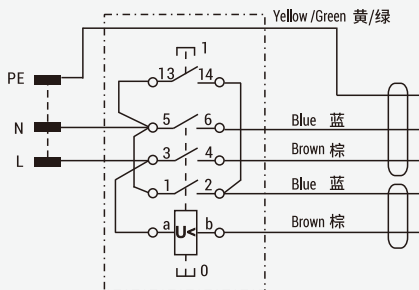
F1



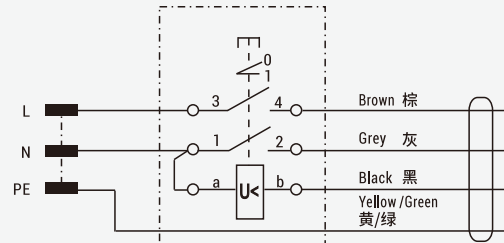
F2



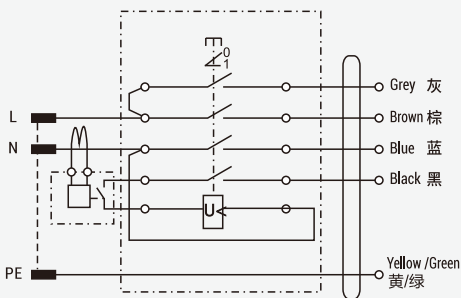
F3



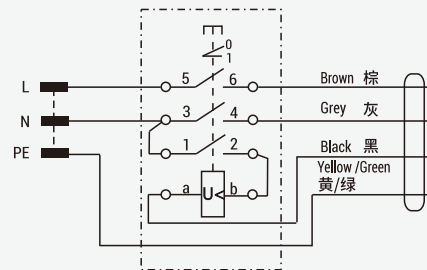
F4



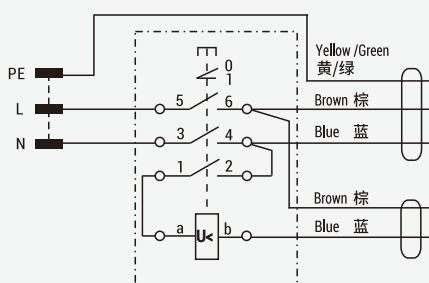
F5



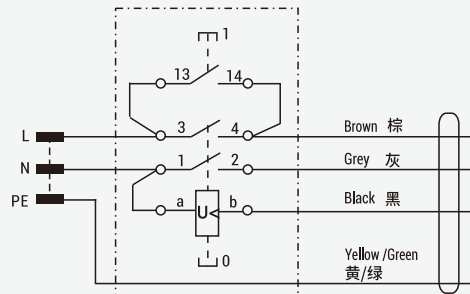
F6



F7

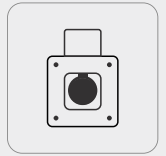


F8



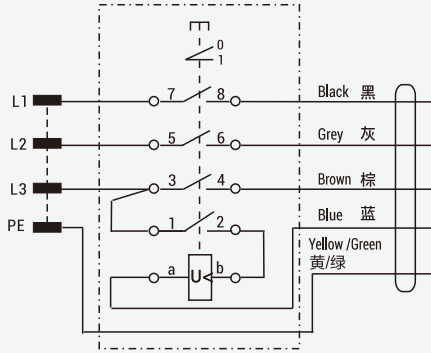
# 电磁开关

## KOA7 Electromagnetic Switch

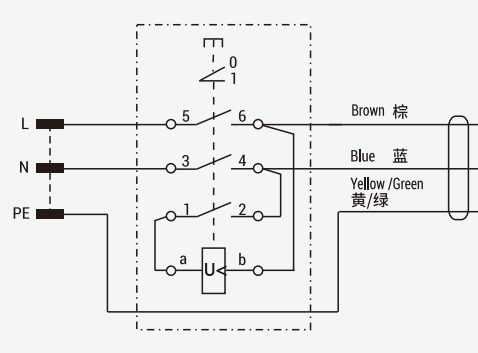


### Function Options 功能选项

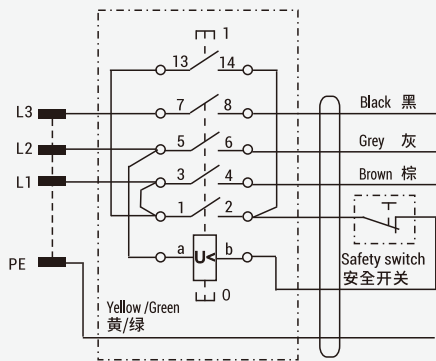
F9 KOA7-21



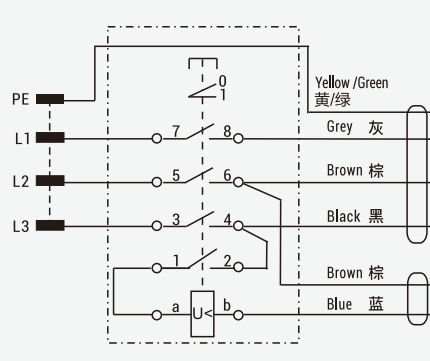
F10



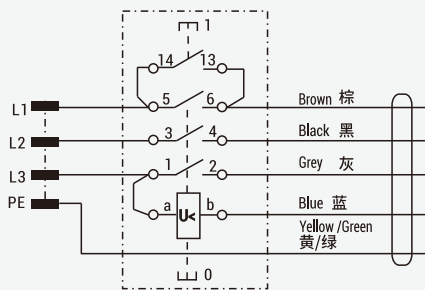
F11



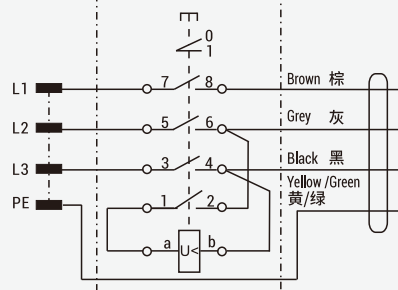
F12

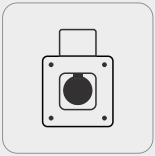


F13



F14





# 电磁开关

KOA7 Electromagnetic Switch



## Reference Dimension 参考尺寸

KOA7-39

